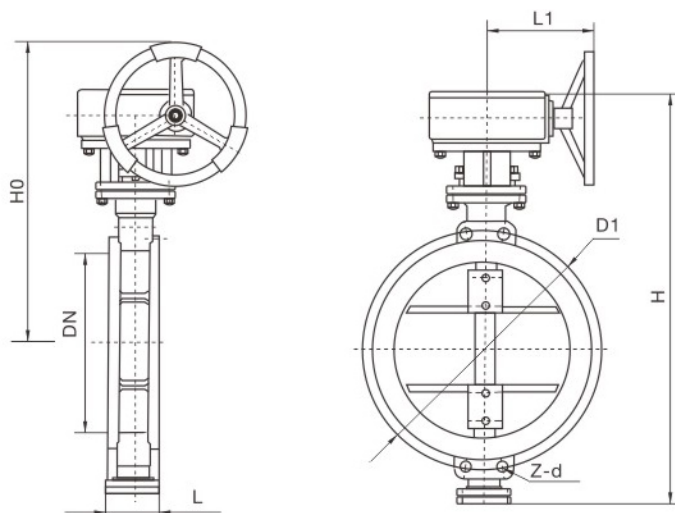


对夹式三偏心多层次金属硬密封/ 氟塑料密封蝶阀

PN6/10/16/25/40(P-R-V)

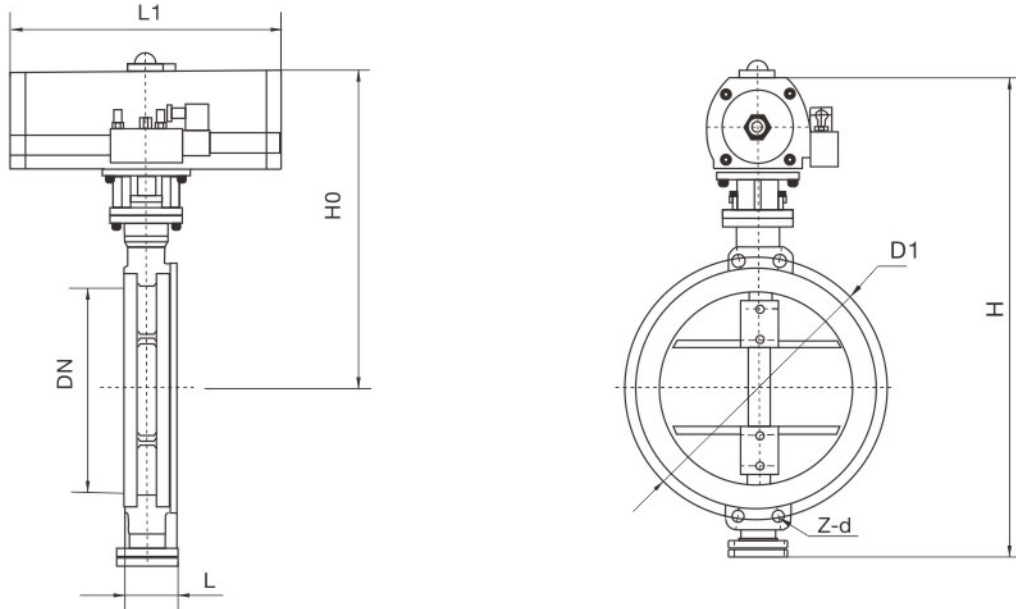


主要连接尺寸(法兰按GB/T 9113标准)

通径 DN	L	L1	H	H0	PN0.6MPa		PN1.0MPa		PN1.6MPa		PN2.5MPa		PN4.0MPa		
					D1	Z-d	D1	Z-d	D1	Z-d	D1	Z-d	D1	Z-d	
D373 ^H -6C, 10C, 16C, 25, 40(P-R-V)															
50	43	150	320	250	110	4-14	125	4-18	125	4-18	125	4-18	125	4-18	
65	46	150	320	250	130	4-14	145	4-18	145	4-18	145	4-18	145	4-18	
80	64	195	380	280	150	4-18	160	4-18	160	4-18	160	4-18	160	4-18	
100	64	195	390	290	170	4-18	180	4-18	180	4-18	190	4-22	190	4-22	
125	70	225	400	300	200	4-18	210	4-18	210	4-18	220	4-26	220	4-26	
150	76	225	485	340	225	4-18	240	4-22	240	4-22	250	4-26	250	4-26	
200	89	225	490	360	280	4-18	295	4-22	295	4-22	310	4-26	320	4-30	
250	114	280	530	390	335	4-18	350	4-22	355	4-26	370	4-30	385	4-33	
300	114	280	610	440	395	4-22	400	4-22	410	4-26	430	4-30	450	4-33	
350	127	280	690	480	445	4-22	460	4-22	470	4-26	490	4-33	510	4-36	
400	140	320	750	520	495	4-22	515	4-26	525	4-30	550	4-36	585	4-39	
450	152	320	850	600	550	4-22	565	4-26	585	4-30	600	4-36	640	4-39	
500	152	320	860	620	600	4-22	620	4-26	650	4-33	660	4-36	670	4-42	
600	154	400	960	680	705	4-26	725	4-30	770	4-36	770	4-39	795	4-48	
700	165	400	980	740	810	4-26	8410	4-30	840	4-36	875	4-42			
800	190	400	1100	790	920	4-30	950	4-33	950	4-39	990	4-48			
900	203	500	1300	840	1020	4-30	1050	4-33	1050	4-39	1090	4-48			
1000	216	500	1500	890	1120	4-30	1160	4-36	1160	4-42	1210	4-55			
1200	254	500	1700	1000	1340	4-33	1380	4-39	1380	4-48	1420	4-55			
1400	390	600	1900	1200	1560	4-36	1590	4-42	1590	4-48	1640	4-60			
1600	440	600	2000	1400	1760	4-36	1820	4-48	1820	4-55	1860	4-60			
1800	490	650	2400	1600	1970	4-39	2020	4-48	2020	4-55	2070	4-68			
2000	540	680	2600	1800	2180	4-42	2230	4-48	2230	4-60	2300	4-69			

对夹式三偏心多层次金属硬密封/ 氟塑料密封蝶阀

PN6/10/16/25/40(P-R-V)

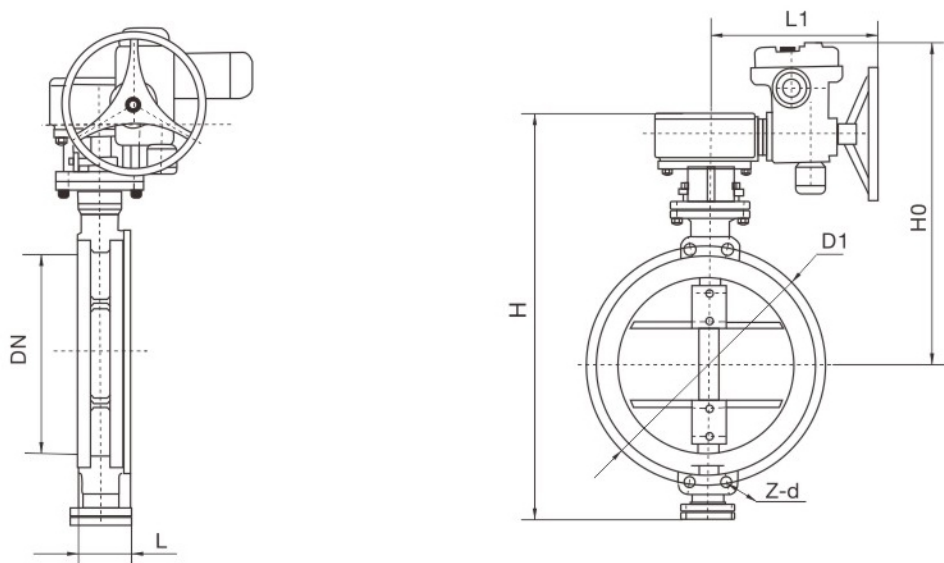


主要连接尺寸(法兰按GB/T 9113标准)

通径 DN	L	L1	H	H0	PN0.6MPa		PN1.0MPa		PN1.6MPa		PN2.5MPa		PN4.0MPa		
					D1	Z-d	D1	Z-d	D1	Z-d	D1	Z-d	D1	Z-d	
D673 ^H _F -6C, 10C, 16C, 25, 40(P-R-V)															
50	43	150	320	250	110	4-14	125	4-18	125	4-18	125	4-18	125	4-18	
65	46	150	320	250	130	4-14	145	4-18	145	4-18	145	4-18	145	4-18	
80	64	195	380	280	150	4-18	160	4-18	160	4-18	160	4-18	160	4-18	
100	64	195	390	290	170	4-18	180	4-18	180	4-18	190	4-22	190	4-22	
125	70	225	400	300	200	4-18	210	4-18	210	4-18	220	4-26	220	4-26	
150	76	225	485	340	225	4-18	240	4-22	240	4-22	250	4-26	250	4-26	
200	89	225	490	360	280	4-18	295	4-22	295	4-22	310	4-26	320	4-30	
250	114	280	530	390	335	4-18	350	4-22	355	4-26	370	4-30	385	4-33	
300	114	280	610	440	395	4-22	400	4-22	410	4-26	430	4-30	450	4-33	
350	127	280	690	480	445	4-22	460	4-22	470	4-26	490	4-33	510	4-36	
400	140	320	750	520	495	4-22	515	4-26	525	4-30	550	4-36	585	4-39	
450	152	320	850	600	550	4-22	565	4-26	585	4-30	600	4-36	640	4-39	
500	152	320	860	620	600	4-22	620	4-26	650	4-33	660	4-36	670	4-42	
600	154	400	960	680	705	4-26	725	4-30	770	4-36	770	4-39	795	4-48	
700	165	400	980	740	810	4-26	8410	4-30	840	4-36	875	4-42			
800	190	400	1100	790	920	4-30	950	4-33	950	4-39	990	4-48			
900	203	500	1300	840	1020	4-30	1050	4-33	1050	4-39	1090	4-48			
1000	216	500	1500	890	1120	4-30	1160	4-36	1160	4-42	1210	4-55			
1200	254	500	1700	1000	1340	4-33	1380	4-39	1380	4-48	1420	4-55			
1400	390	600	1900	1200	1560	4-36	1590	4-42	1590	4-48	1640	4-60			
1600	440	600	2000	1400	1760	4-36	1820	4-48	1820	4-55	1860	4-60			
1800	490	650	2400	1600	1970	4-39	2020	4-48	2020	4-55	2070	4-68			
2000	540	680	2600	1800	2180	4-42	2230	4-48	2230	4-60	2300	4-69			

对夹式三偏心多层次金属硬密封/ 氟塑料密封蝶阀

PN6/10/16/25/40(P-R-V)



主要连接尺寸(法兰按GB/T 9113标准)

通径 DN	L	L1	H	H0	PN0.6MPa		PN1.0MPa		PN1.6MPa		PN2.5MPa		PN4.0MPa	
					D1	Z-d	D1	Z-d	D1	Z-d	D1	Z-d	D1	Z-d
D973 ^H -6C, 10C, 16C, 25, 40(P-R-V)														
50	43	170	380	300	110	4-14	125	4-18	125	4-18	125	4-18	125	4-18
65	46	170	380	320	130	4-14	145	4-18	145	4-18	145	4-18	145	4-18
80	64	178	455	365	150	4-18	160	4-18	160	4-18	160	4-18	160	4-18
100	64	178	480	380	170	4-18	180	4-18	180	4-18	190	4-22	190	4-22
125	70	178	500	390	200	4-18	210	4-18	210	4-18	220	4-26	220	4-26
150	76	178	550	420	225	4-18	240	4-22	240	4-22	250	4-26	250	4-26
200	89	419	650	450	280	4-18	295	4-22	295	4-22	310	4-26	320	4-30
250	114	419	700	475	335	4-18	350	4-22	355	4-26	370	4-30	385	4-33
300	114	437	715	500	395	4-22	400	4-22	410	4-26	430	4-30	450	4-33
350	127	460	860	525	445	4-22	460	4-22	470	4-26	490	4-33	510	4-36
400	140	470	890	550	495	4-22	515	4-26	525	4-30	550	4-36	585	4-39
450	152	490	970	575	550	4-22	565	4-26	585	4-30	600	4-36	640	4-39
500	152	510	1030	600	600	4-22	620	4-26	650	4-33	660	4-36	670	4-42
600	154	650	1150	650	705	4-26	725	4-30	770	4-36	770	4-39	795	4-48
700	165	750	1300	750	810	4-26	8410	4-30	840	4-36	875	4-42		
800	190	750	1460	830	920	4-30	950	4-33	950	4-39	990	4-48		
900	203	840	1700	1000	1020	4-30	1050	4-33	1050	4-39	1090	4-48		
1000	216	840	1830	1070	1120	4-30	1160	4-36	1160	4-42	1210	4-55		
1200	254	840	2060	1180	1340	4-33	1380	4-39	1380	4-48	1420	4-55		
1400	390	1190	2300	1340	1560	4-36	1590	4-42	1590	4-48	1640	4-60		
1600	440	1190	2500	1480	1760	4-36	1820	4-48	1820	4-55	1860	4-60		
1800	490	1190	2820	1600	1970	4-39	2020	4-48	2020	4-55	2070	4-68		
2000	540	1190	3100	1780	2180	4-42	2230	4-48	2230	4-60	2300	4-69		